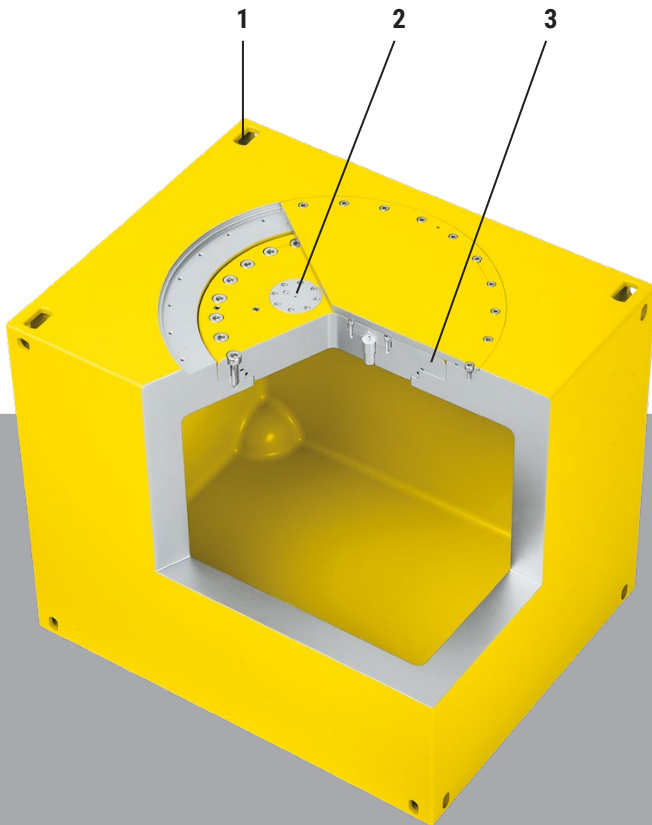


GNS Yellow Box®

Container for Transport,
Interim Storage and Final Disposal



DESCRIPTION

The GNS Yellow Box® is a cuboidal container made of ductile cast iron. It is used as packaging for radioactive waste from nuclear facilities which requires higher shielding levels.

With an empty weight of ca. 18,400 kg, the maximum payload of the GNS Yellow Box® is up to 6,000 kg. The outer dimensions are 2,000 * 1,600 * 1,700 mm (l * w * h).

The round lid system [3] of the container has connections for filling with the PUSA powder-resin transfer facility or the FAFNIR® waste conditioning plant [2]. The container is provided with a coating which can be easily decontaminated. It can be handled at its ISO corners [1] with a spreader.

As GC VI-15* the GNS Yellow Box® has a maximum payload of about 1,600 kg for the German Konrad repository. Furthermore it meets the accident performance requirements for a Konrad repository disposal package and is approved as a class II waste container.

Both the GNS Yellow Box® and the GC VI-15 meet the IP-2 requirements according IAEA regulations.

* GNS Yellow Box® is a UK registered trademark for the German ductile cast iron container GC VI-15



Excellence for Nuclear.

GNS Gesellschaft für Nuklear-Service mbH · Frohnhauser Str. 67 · 45127 Essen · Germany
Phone +49 201 109-0 · info@gns.de · www.gns.de