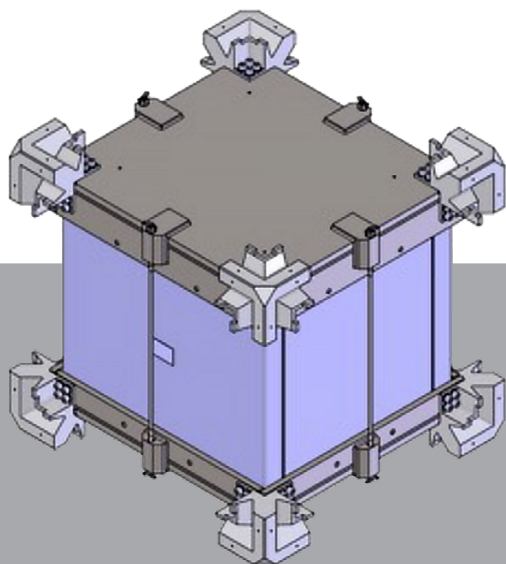
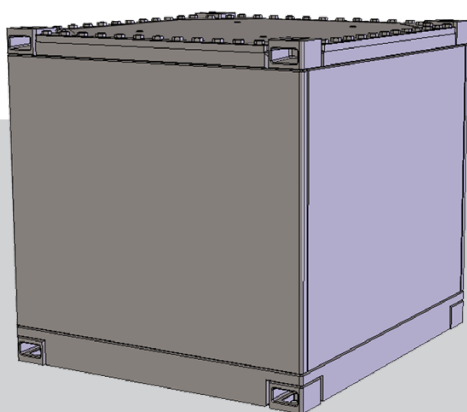


GNS Box System

Versatile System for space-saving
Storage of Waste Class A to GTCC



T1 Box with assembled Shock Absorber
as a Type-B Package



T2 Box to be transported without Shock Absorber
as an IP-2 Package

- Suitability for all decommissioning waste eliminates the expenses for different types of packaging
- Consistent equipment for all box types allows cost-efficient handling
- 5-high stackability meets small floor requirements through optimized storage space storage and disposal

The Versatile GNS Box System corresponds to the overall decommissioning strategy of a nuclear facility by covering the entire range of waste classes, considering its radiology as well as its geometry and masses.

The System consists of 5 different container types suitable for transport, interim storage and final disposal of Waste Class A to GTCC.

- Welded steel sheet containers with varying wall thickness for different shielding capacities
- Standardized outer dimensions for efficient handling, dispatch and storage of different container types with the same equipment regardless of the waste class
- Designed for handling with limited crane capacity
- Equipment for underwater loading of cut reactor internals available
- Suitable for local production in the customer's country

DESCRIPTION

The basic design is similar to the GNS containers widely established in Germany for transport, storage and final disposal which allows for similar packaging, handling and shipping facilities as applied in German decommissioning.

The container series was developed according to US regulations which allows licensing in countries that base their quality assurance requirements on ASME NQA-1.

For transport in accordance with SSR-6 the containers are available with Type B(U) approval certificate or as IP-2 package.

Local production is possible worldwide.

Excellence for Nuclear.

GNS Gesellschaft für Nuklear-Service mbH · Frohnhauser Str. 67 · 45127 Essen · Germany
Phone +49 201 109-0 · info@gns.de · www.gns.de

GNS Box System

Versatile System for space-saving
Storage of Waste Class A to GTCC



TECHNICAL DATA

Masses from 30 metric tons up to 44 metric tons plus shock absorber for the Type B package

Special designed Twistlock Corners with draining openings for increased corrosion resistance, made of material able to handle high container masses.

Box system

Outer Dimension of all containers 2.0 m x 1.85 m x 1.85 m

#	Waste Class Package Type	Specific Co-60 activity [Bq/kg]	Max. Waste Payload [kg]	Volume of Waste (inside inner basket) [dm ³]	Features
T1	GTCC Type B	1.00E+11	7,100	905	stainless steel inner liner, stainless steel main lid and closure lid.
T2	B/C GTCC IP-2	1.00E+10	8,800	1,120	modular design for manufacturing with flexible shielding opportunities.
T3	A-H B IP-2	2.50E+08	11,300	1,440	modular design for manufacturing with flexible shielding opportunities.
T4	A-M IP-2	5.00E+07	14,900	1,900	modular design for manufacturing with flexible shielding opportunities.
T5	A-L IP-2	1.00E+06	14,680	1,871	weight-optimized design to reduce the amount of material required in manufacturing

Excellence for Nuclear.

GNS Gesellschaft für Nuklear-Service mbH · Frohnhauser Str. 67 · 45127 Essen · Germany
Phone +49 201 109-0 · info@gns.de · www.gns.de