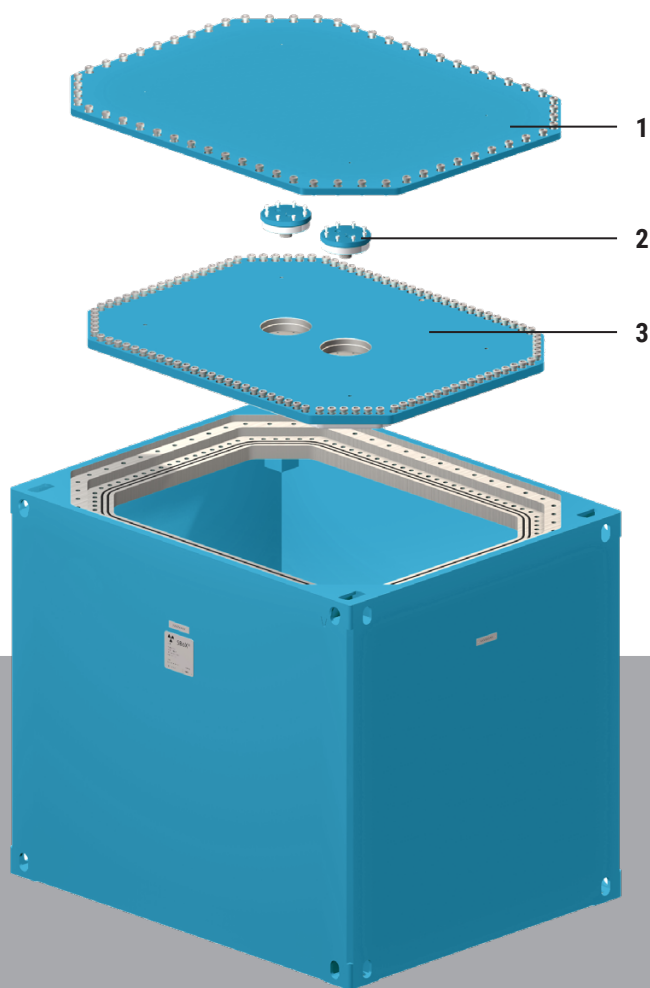


SBoX®

Cask for Transport, Interim Storage
and Final Disposal



DESCRIPTION

The SBoX® is a container for interim storage and final disposal of all kinds of radioactive waste from nuclear facilities. It consists of welded heavy-walled steel sheets.

With an empty weight of 16,500 kg, the maximum payload is normally 8,500 kg. The outer dimensions are 2,000 * 1,600 * 1,700 mm (l * w * h).

The SBoX® is available with round or rectangular lid systems. There are connections for drying and filling facilities integrated in the lid [3], which come with separate closure lids [2]. For protection against mechanical damages and ingress of dust the lid of the SBoX® is additionally covered with a protection plate [1].

The SBoX® can be delivered with an integrated heating system, which enables short drying times and a low surface temperature during and after drying. This reduces the overall drying cycle time significantly.

Excellence for Nuclear.

GNS Gesellschaft für Nuklear-Service mbH · Frohnhauser Str. 67 · 45127 Essen · Germany
Phone +49 201 109-0 · info@gns.de · www.gns.de